

Solo, Primo, Tanto, Uno

IP65 IK10

220-240V, 50/60Hz

<p>LED</p> <p>172mm</p> <p>E27</p> <p>70mm</p>	<p>ca 10° (max. 20°)</p> <p>Max 16A</p> <ul style="list-style-type: none"> 0,5 - 1,0 mm² 8 mm 1,5 - 2,5 mm² 12 mm <p>NO: Kan kun installeres og vedlikeholdes av en registrert installasjonsvirksomhet.</p> <p>DK: Må kun installeres og vedlikeholdes af uddannet elektriker.</p> <p>SE: Skall installeras och underhållas av behörig elektriker.</p> <p>EN: Only to be installed and maintained by an authorized electrician.</p> <p>FR: Doit être installé et maintenu par un électricien qualifié.</p> <p>NL: Mag alleen geïnstalleerd en onderhouden worden door een bevoegde electricien.</p> <p>DE: Dieses Produkt darf nur durch autorisiertes Personal (z.B. Elektro-Installateur) angeschlossen, in Betrieb genommen und gewartet werden.</p> <p>FI: Asentaa ja huoltaa saa vain valtuutettu sähköasentaja</p> <p>NO: Skru av strømmen før montering.</p> <p>DK: Sluk for strømmen inden montering.</p> <p>SE: Stäng av strømmen innan montering.</p> <p>EN: Turn off power before installing.</p> <p>FR: Couper le courant avant l'installation.</p> <p>NL: Stroom uitschakelen voor u het toestel installeert.</p> <p>DE: Vor Installationsarbeiten den Strom abschalten.</p> <p>FI: Sammuta virta ennen kytkemistä</p>
<p>1</p>	<p>2</p>

NORWAY
SG Armaturen AS

Skytterheia 25
N-4790 Lillesand

Tel: +47 37 50 03 00
firmapost@sg-as.no
www.sg-as.no

SWEDEN

SG Armaturen AB
Tel: +46 31 81 71 10
info@sg-ab.se
www.sg-ab.se

FINLAND

SG Armaturen Oy
Tel: +358 02 07 30 39 60
info@sg-oy.fi
www.sg-oy.fi

DENMARK

SG Armaturen A/S
Tel: +45 70 70 72 13
info@sg-as.dk
www.sg-as.dk

UNITED KINGDOM

SG Lighting LTD
Tel: +47 37 50 03 00
info@sglighting.co.uk
www.sglighting.co.uk

FRANCE

SG Lighting SA/NV
Tel: +33(0) 4 94 93 00 00
info.france@sglighting.fr
www.sglighting.net

BENELUX

SG Lighting SA/NV
Tel: +32(0) 15 20 72 71
info.benelux@sglighting.net
www.sglighting.net

GERMANY

SG Leuchten GmbH
Tel: +49 40 23 99 44 59
info@sg-leuchten.de
www.sg-leuchten.de

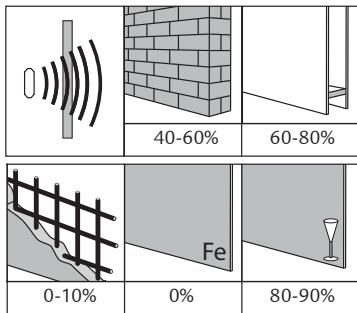
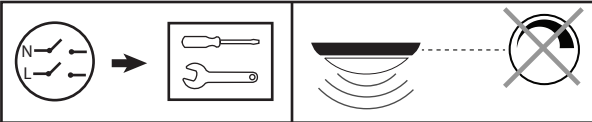
INTERNATIONAL

SG Lighting Co Ltd.
Tel: +86 769 88 49 20 88
cindy@sgdgc.com
www.sg-as.com

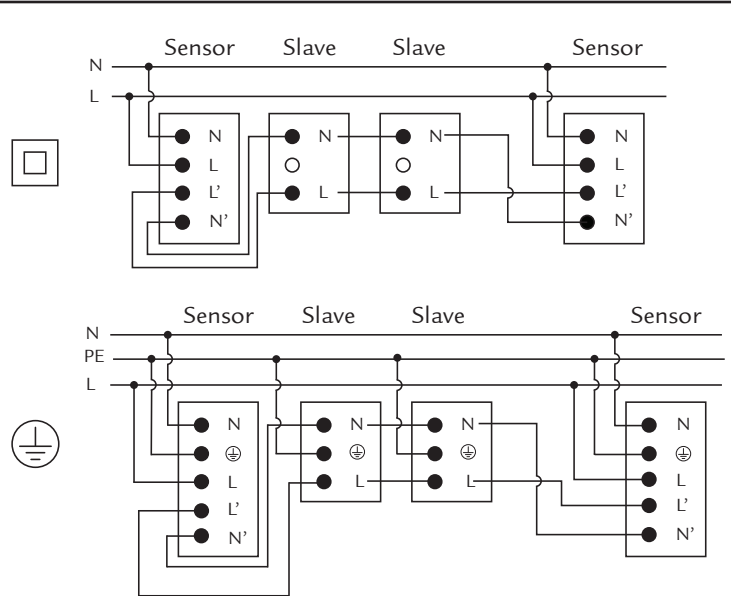
HC009S sensor



230V, 50Hz



Standby power		< 0.5W
Microwave frequency		5.8GHz+/-75MHz
Microwave power		< 0.2mW



Lighting Level Settings

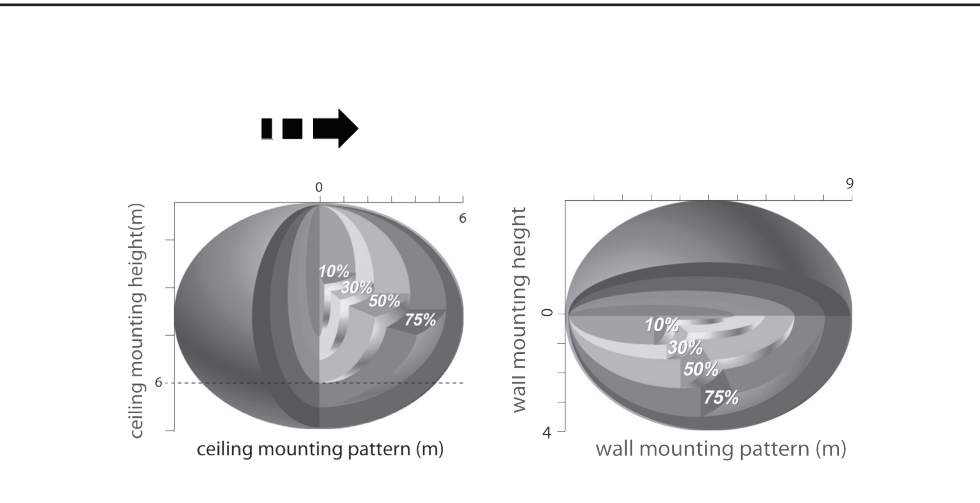
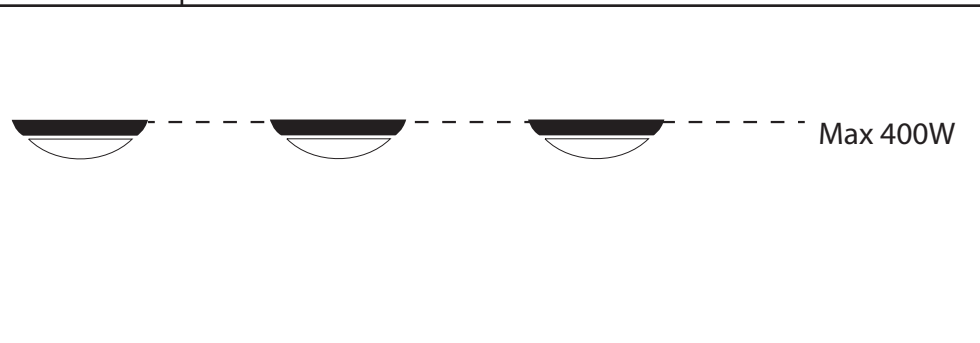
	1	2	3	
I	●	●	●	100%
II	○	●	●	75%
III	●	○	●	50%
IV	●	●	○	25%
V	○	○	○	10%

Timer Settings

	1	2	3	4	
I	●	●	●	●	5s
II	○	●	●	●	30s
III	●	○	●	●	1min
IV	●	●	○	●	5min
V	●	●	●	○	15min
VI	○	○	○	○	30min

Light Level Settings

	1	2	3	4	
I	●	●	●	●	2 Lux
II	○	●	●	●	5 Lux
III	●	○	●	●	10 Lux
IV	●	●	○	●	30 Lux
V	●	●	●	○	50 Lux
VI	○	○	○	○	Disable



NORWAY
SG Armaturen AS
Skytterheia 25
N-4790 Lillesand

SWEDEN
SG Armaturen AB
Tel: +46 31 81 71 10
info@sg-ab.se
www.sg-ab.se

DENMARK
SG Armaturen A/S
Tel: +45 70 70 72 13
info@sg-as.dk
www.sg-as.dk

FRANCE
SG Lighting SA/NV
Tel: +33(0) 4 94 93 00 00
info.france@sglighting.fr
www.sglighting.net

GERMANY
SG Leuchten GmbH
Tel: +49 40 23 99 44 59
info@sg-leuchten.de
www.sg-leuchten.de

Tel: +47 37 50 03 00
firmapost@sg-as.no
www.sg-as.no

FINLAND
SG Armaturen Oy
Tel: +358 02 07 30 39 60
info@sg-oy.fi
www.sg-oy.fi

UNITED KINGDOM
SG Lighting LTD
Tel: +47 37 50 03 00
info@sglighting.co.uk
www.sglighting.co.uk

BENELUX
SG Lighting SA/NV
Tel: +32(0) 15 20 72 71
info.benelux@sglighting.net
www.sglighting.net

INTERNATIONAL
SG Lighting Co Ltd.
Tel: +86 769 88 49 20 88
cindy@sgdgc.com
www.sg-as.com